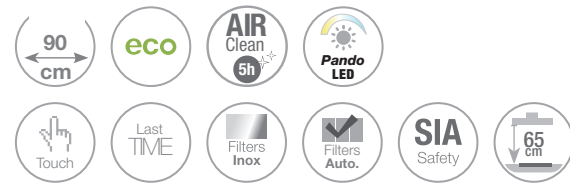




# I-826

Inox-Cristal Negro  
Stainless Steel-Black Glass

A+



### Motor Interior / Interior Motor S.E.C. System®

Front. (cm)	Motor	Ø tubo	Clas. Ener.	Ref.
90	V.850	Ø150	A	9474
	V.1250 eco	Ø150	A+	9475

### Opcionales / Options

#### AirLink

Modelo compatible. Es imprescindible solicitar esta opción en el pedido de la campana. No se equipa de serie  
Compatible Model. This option must be requested together with the purchase order. Is not included as standard.

Kits de recirculación FCLR-AE. Ver página 206  
Activated carbon filters kit. FCLR-AE. See page 206

Mando a distancia Touch. Suministrado con la campana.  
Remote Control Touch supplied together with the hood.

Soporte falso techo regulable de 150 a 240 mm. Ref. 3589  
False ceiling support adjustable from 150 to 240 mm. Ref. 3589

Soporte falso techo regulable de 250 a 440 mm. Ref. 3590  
False ceiling support adjustable from 250 to 440 mm. Ref. 3590

Juego de tubos hasta altura total de 1500 mm  
Set of chimneys to a total height of 1500 mm

Juego de tubos hasta altura total de entre 1501 y 2000 mm  
Set of chimneys to a total height of between 1501 and 2000 mm

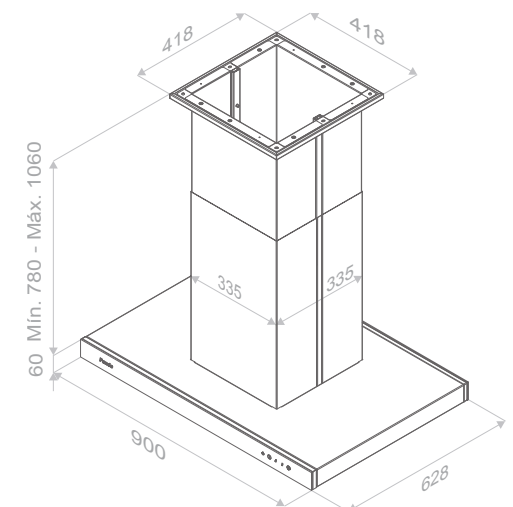
### Notas / Notes

#### AirClean

Sistema automático de funcionamiento del motor 10 min. cada hora durante 5 horas.  
Automatic working motor system for 10 minutes every hour during 5 hours.

### Esquema medidas / Technical Drawings

# I-826



Tubos especiales a medida  
Special custom-made chimneys