



PBE 89-66

Cantina da invecchiamento
Under counter Aging wine cellar

66
Ø75mm
300 mm

89 cm
Altezza
Size (Height)

1
Temperature
Temperature zone

Display digital LED
LED Digital display

Higrómetro incorporado
Incorporated Hygrometers

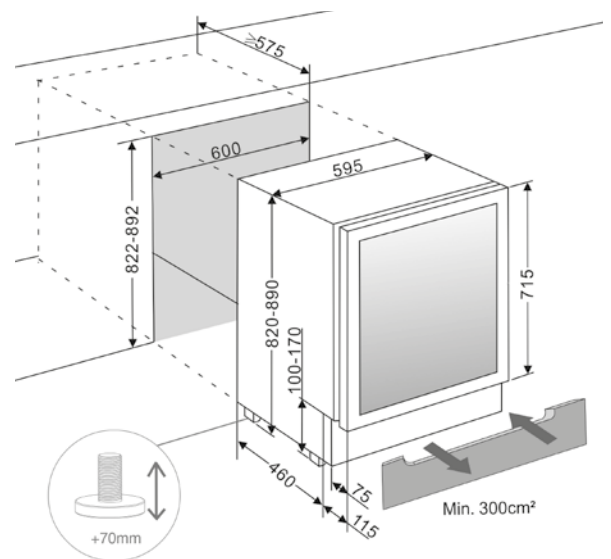
Illuminazione **Multicolore**
3 intensità
Multicolour Lighting
3 intensity levels



Ref.	Riferimento Product code	Finiture Finishing	Versione Version	Apertura Opens to
010839	PBE 89-66 CRR	Vetro nero Black glass	Con maniglia With handle	DX/Right
010838	PBE 89-66 CRL			SX/Left

Caratteristiche / Features

N° di bottiglie (tipo bordolese da 0,75 litri)	Number of bottles (bordeaux type 0,75 ltrs)	66
Dimensioni (An x Al x F)	Dimensions (W x H x D)	595x890x575 mm
Scomparti freddo	Temperature zones	1
Temperatura operativa	Temperature range	+5°C a +20°C
Capacità (litri)	Capacity (ltrs)	128
Consumo energetico	Energy consumption	76 kWh/anno-year
Livello acustico	Noise Level	40 db
Filtro de carbón	Carbon filter	Si / Yes
Puerta totalmente opaca	Door totally opaque	Si / Yes



Piedini regolabili de 10 a 70
Adjustable legs from 10 to 70

Misure in / Dimensions in mm