



PBE 182-190

Cantina da invecchiamento
Freestanding Aging wine cellar

190
Ø75mm
300 mm

182 cm
Altezza
Size (Height)

1
Temperature
Temperature zone

Display digital LED
LED Digital display

Higrómetro incorporado
Incorporated Hygrometers

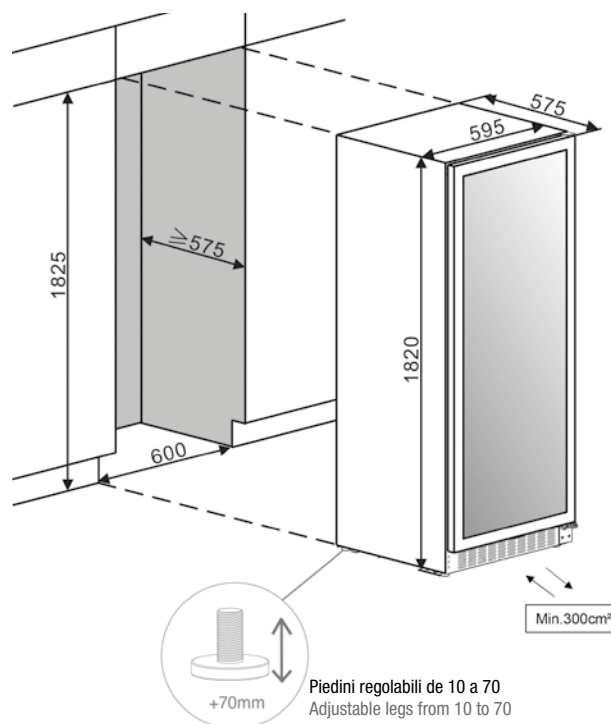
illuminazione **Multicolore**
3 intensità
Multicolour Lighting
3 intensity levels



| Ref. | Riferimento Product code | Finiture Finishing | Versione Version | Apertura Opens to |
|--------|-----------------------------|---------------------------|-----------------------------|----------------------|
| 010837 | PBE 182-190 CRR | Vetro nero Black glass | Con maniglia With handle | DX/Right |
| 010836 | PBE 182-190 CRL | | | SX/Left |

Caratteristiche / Product features

| | | |
|---------------------------------------------------|------------------------------------------------|-------------------|
| N° di bottiglie (tipo bordolese da 0,75 litri) | Number of bottles (bordeaux type 0,75 ltrs) | 190 |
| Dimensioni (An x Al x F) | Dimensions (W x H x D) | 595x1820x575 mm |
| Scomparti freddo | Temperature zones | 1 |
| Temperatura operativa | Temperature range | +5°C a +20°C |
| Capacità (litri) | Capacity (ltrs) | 335 |
| Consumo energetico | Energy consumption | 144 kWh/anno-year |
| Livello acustico | Noise Level | 40 db |
| Filtro de carbón | Carbon filter | Si / Yes |
| Puerta totalmente opaca | Door totally opaque | Si / Yes |
| Zócalo de cristal incluido | Glass plinth included | Si / Yes |



Misure in / Dimensions in mm